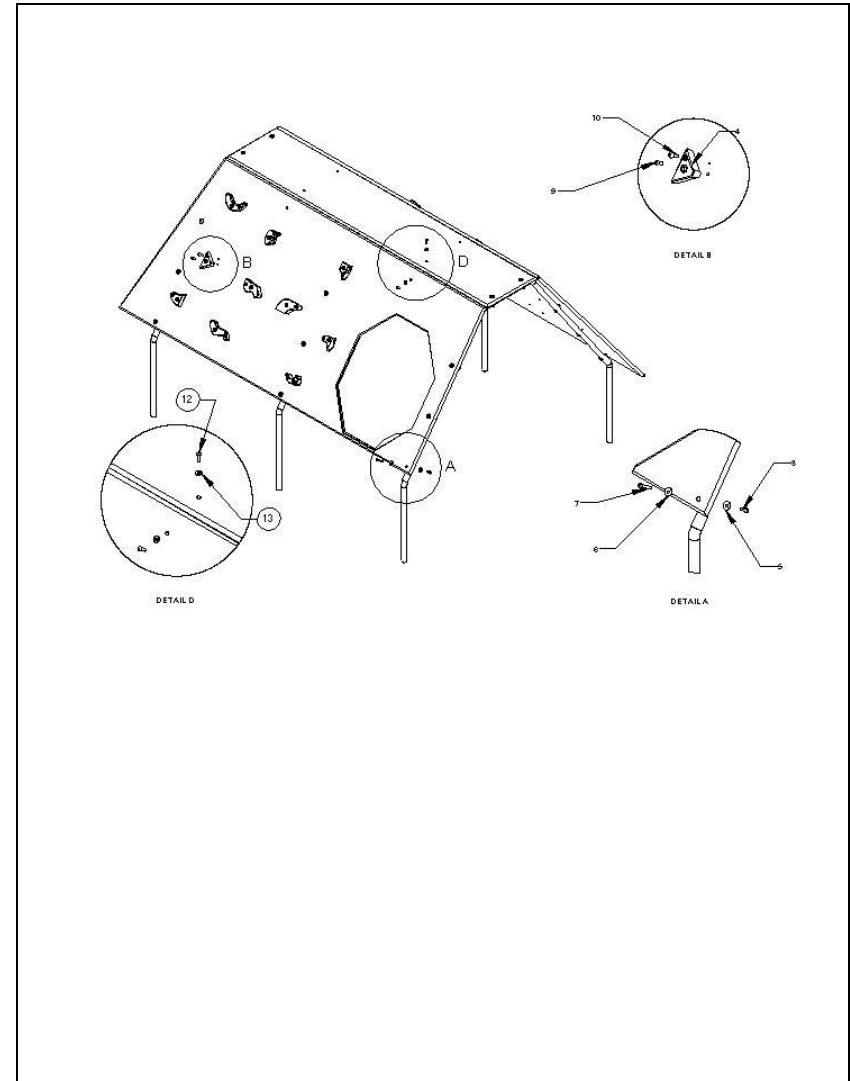




# 902-875 ROCK CLIMBING TUNNEL INSTALLATION INSTRUCTIONS

ID	PART #	DESCRIPTION	QTY
1	913-391	Side Panel for Rock Wall	2
2	913-392	Top Panel for Rock Wall	1
3	913-393	Rock Wall Leg	3
4	Set of 10	Climbing Rock Set 1-10	2
5	316-601	3/8 Washer	50
6	316-501	5/16 Washer	22
7	116-538	5/16x1 3/4 Buttonhead Bolt	22
8	216-512	5/16x1 Buttonhead Nut	42
9	116-529	5/16x3/4 Buttonhead Bolt	20
10		1/4x1 Buttonhead Bolt	20
11		1/4 Tee Nut	20
12	126-703	3/8x1 Buttonhead Bolt	8
13	236-601	3/8 T-Nut	8
14	913-394	Middle Support Bracket	4

WEIGHT	AGES	SIZE	USE ZONE
280		68 3/4x95 1/2x30	80 3/4x107 1/2





## 902-875 ROCK CLIMBING TUNNEL INSTALLATION INSTRUCTIONS

---

### IMPORTANT

PLEASE READ THESE INSTRUCTIONS BEFORE BEGINNING ASSEMBLY. It contains important replacement parts information. It is important to use and maintain all public playground equipment properly. Playground equipment which is improperly maintained, can cause serious injury. Periodical inspections, maintenance, repair and/or replacement of damaged parts is necessary for safe operation of equipment. Appropriate publications, available at no charge, from the Consumer Product Safety Commission, include “ A Handbook for Public Playground Safety”. You can receive your free copy by calling 1-301-504-0708.

**ADULT SUPERVISION IS REQUIRED AT ALL TIMES!**

### GENERAL MAINTENANCE INSTRUCTIONS:

Check MONTHLY for loose bolts, damaged or broken parts. Tighten and/or replace immediately. Replace any parts that show a reduction of 25% from original size.

**SHOULD A COMPONENT BECOME DAMAGED YOU MUST CLOSE THE UNIT TO PLAY UNTIL THE REPAIRS ARE MADE!**

In order to prevent injury to personnel and damage to components a minimum of two people are required to lift all panels.

To prevent damage to components during installation all components should be placed on a protective surface (cardboard, plastic sheet or tarp) and not placed directly on the ground while they are being sorted.

EACH ROCK IS INSTALLED IN A CERTAIN LOCATION ON THE PANEL. VIEW THE ROCK LAYOUT PAGE AT THE END OF THESE INSTRUCTIONS FOR PROPER PLACEMENT.

Each hardware box has 2 sets of rocks, one set of rocks is required for each side.

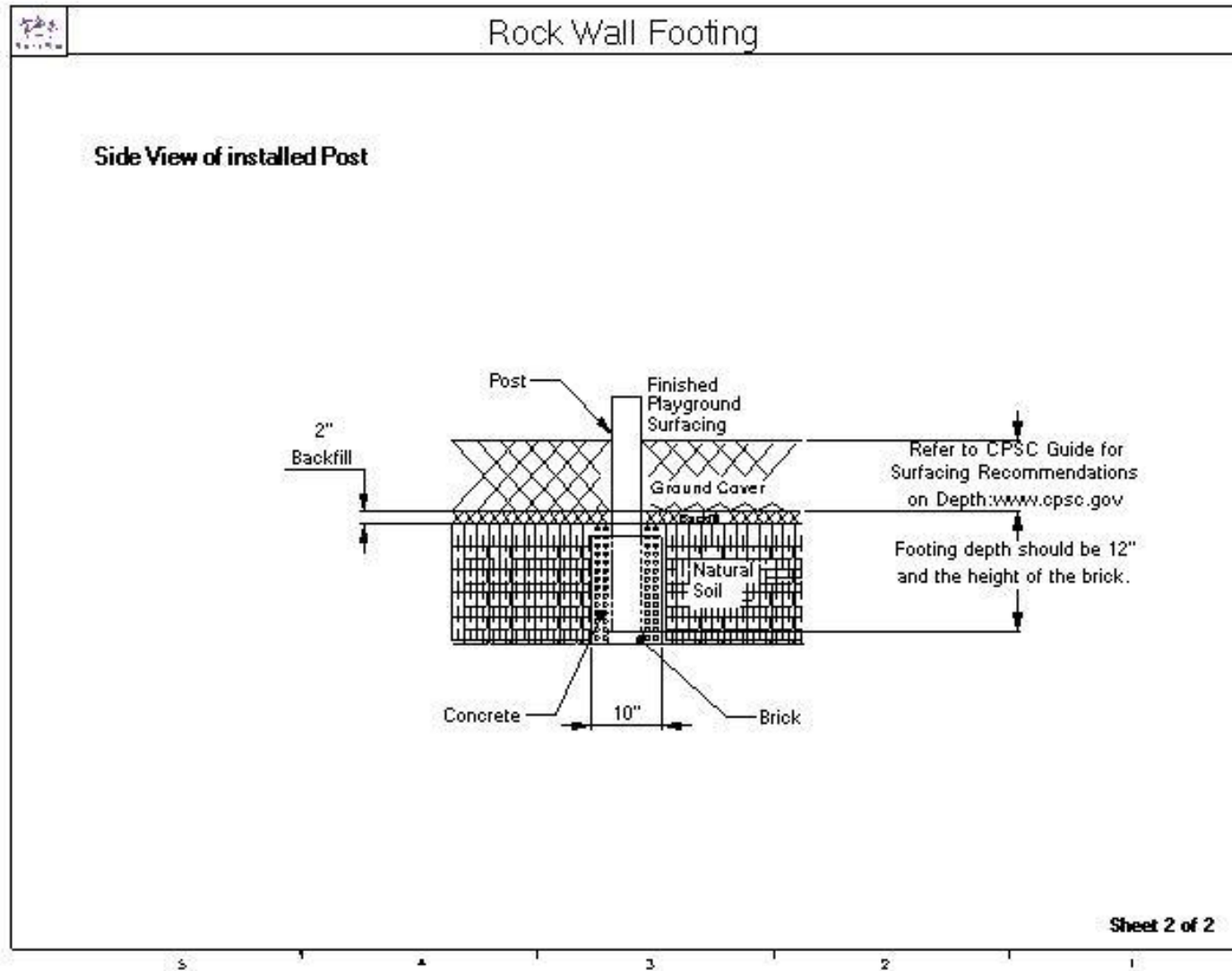
**THIS UNIT IS DESIGNED FOR 12” OF LOOSE FILL SURFACING.**

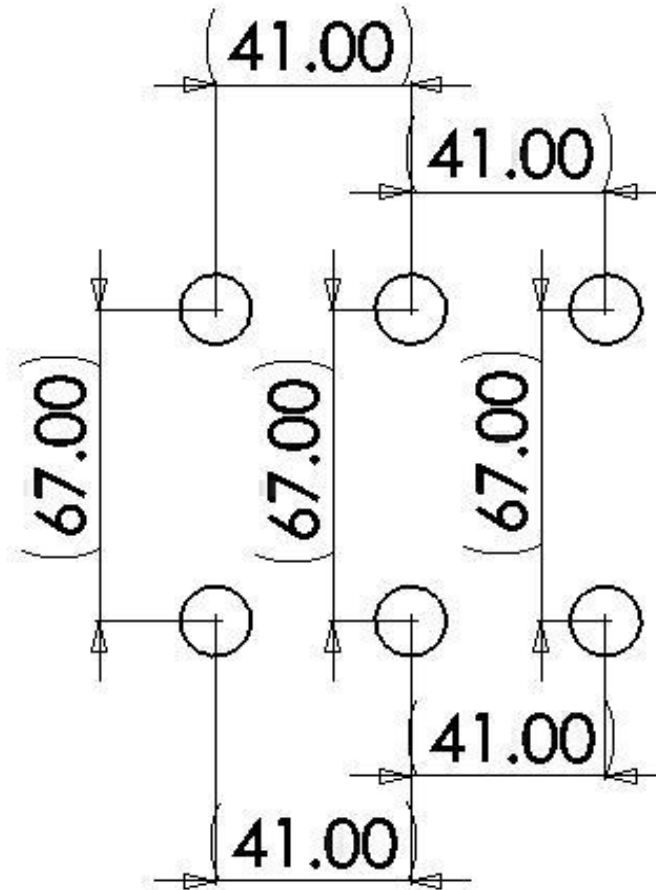


## 902-875 ROCK CLIMBING TUNNEL INSTALLATION INSTRUCTIONS

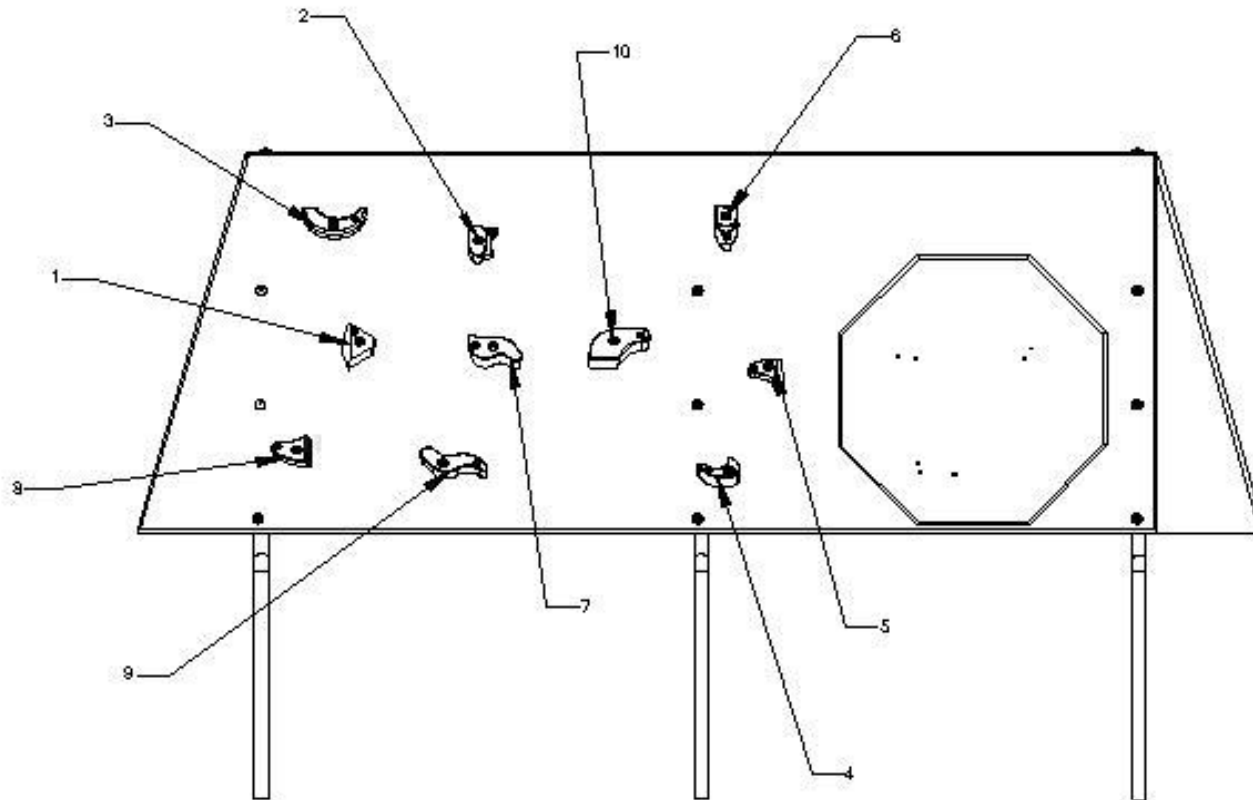
### SPECIFIC ASSEMBLY INSTRUCTIONS

1. Begin by digging 6 holes 10” in diameter and 12” deep based off of the dimensions on the side view footing page at the back of these instructions.
2. Install the legs in the holes by filling the holes with 10” of concrete.
3. Attach the side panels to the legs with one sloped end of the panel pointing to the left on one side of the structure and the other sloped end pointing to the right on the other side of the structure by using the 5/16x1 3/4 Buttonhead bolt and 5/16 washer on the front side of the panel and by using the 3/8 washer and 5/16x1 Buttonhead nut on the back side of the panel. (view detail drawing on the first page)
4. Attach the top panel as shown using the 5/16x1 3/4 Buttonhead bolts and 5/16 washers on the top side of the panel and 5/16x1 Buttonhead nut and 3/8 washer on the bottom side of the panel.
5. Attach the rocks to the panels using the 5/16x3/4 Buttonhead bolt in the large hole on the front of the rock and the 1/4x1 Buttonhead bolt in the small hole on the front of the rock and the 5/16x1 Buttonhead nut with the 3/8 washer in the large hole on the back side of the panel and the 1/4 tee nut in the small hole on the back side of the panel. **ROCKS MUST BE PLACED ON PANELS IN CERTAIN ORDER.** Refer to the following rock layout page to determine which rocks should go where.
6. Install middle support bracket along edge of top plastic piece. Place directly between support legs on the under side of plastic, mark and drill holes, then attach bracket using (2) 3/8” x 1” bolts with 3/8” washers on top side and (2) 3/8” t-nuts on bottoms side.





Top View  
Footings  
Layout



ROCK LAYOUT